

WARNING TRACK CONCRETE BUGGY SAFETY

Any piece of equipment can be dangerous if not operated properly. **YOU** are responsible for the safe operation of this equipment. The operator must carefully read and follow any warnings, safety signs and instructions provided with or located on the equipment. Do not remove, defeat, deface or render inoperable any of the safety devices or warnings on this equipment. **IF** any safety devices or warnings have been removed, defeated, defaced or rendered inoperable, **DO NOT USE THIS EQUIPMENT!!!**

⚠WARNING: Operating, servicing and maintaining this equipment can expose you to chemicals including engine exhaust, carbon monoxide and lead, which are known to the State of California to cause cancer and birth defects or other reproductive harm. To minimize your exposure, avoid breathing exhaust, do not idle the engine except as necessary, operate and service your equipment in a well-ventilated area and wear gloves or wash your hands frequently when servicing your equipment. For more information go to www.P65warnings.ca.gov.

Training

- Read the *Operator's Manual* and other training material. If the operator(s) or mechanic(s) cannot read English, it is the owner's responsibility to explain this material to them.
- Become familiar with the safe operation of the equipment, operator controls, and safety signs.
- All operators and mechanics should be trained. The owner is responsible for training the users.
- Never let children or untrained people operate or service the equipment. Local regulations may restrict the age of the operator.
- The owner/user can prevent and is responsible for accidents or injuries occurring to himself or herself, other people or property.

Preparation

- Wear appropriate clothing including hard hat, eye protection, long pants, sturdy slip-resistant footwear, and hearing protection. Tie back long hair. Do not wear jewelry.
- Inspect the area where the equipment is to be used and ensure that all objects are removed from the machine before use.
- Use extra care when handling fuels. They are flammable and vapors are explosive.
 - Use only an approved container.
 - Never remove the fuel cap or add fuel while the engine is running. Allow the engine to cool before refueling. Do not smoke.
 - Never fuel or drain the machine indoors.
 - Never store the machine or fuel container inside where there is an open flame, such as near a water heater or furnace.
 - Never fill a container while it is inside a vehicle, trunk, pick-up bed, or any surface other than the ground.
 - Keep container nozzle in contact with the tank during filling.
- Check that the operator's presence controls, safety switches, and shields are attached and functioning properly. Do not operate unless they are functioning properly.

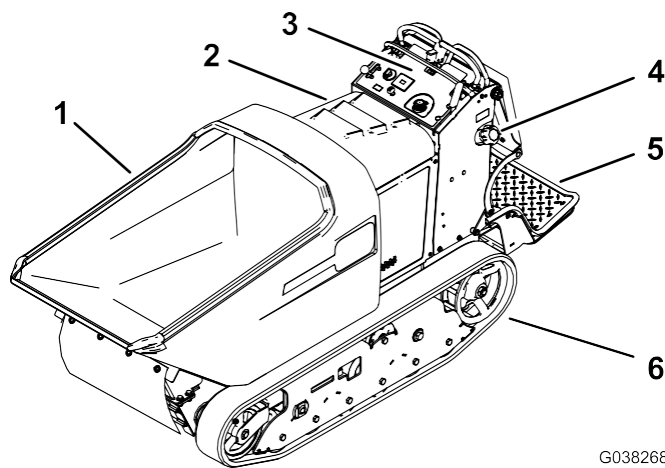
Operation

- Never run an engine in an enclosed area.
- Only operate in good light, keeping away from holes and hidden hazards.
- Be sure all drives are in neutral before starting the engine. Only start the engine from the operator's position.
- Never operate with the guards not securely in place. Be sure all interlocks are attached, adjusted properly, and functioning properly.
- Do not change the engine governor setting or overspeed the engine.
- Stop the machine on level ground, lower the hopper, & shut off the engine before leaving the operator's position.
- Never carry passengers and keep pets and bystanders away.
- Slow down and use caution when making turns and crossing roads and sidewalks.
- Do not operate the machine while ill, tired, or under the influence of alcohol or drugs.
- Use care when loading or unloading the machine into a trailer or truck.
- Use care when approaching blind corners, shrubs, trees, or other objects that may obscure vision.
- Ensure that the area is clear of other people before operating the machine. Shut off the machine if anyone enters the area.
- Never leave a running machine unattended.
- Do not exceed the rated operating capacity, as the machine may become unstable which may result in loss of control.
- Never jerk the controls; use a steady motion.
- Watch for traffic when operating near or crossing roadways.
- Do not touch parts which may be hot from operation. Allow them to cool before attempting to maintain, adjust, or service.
- Check for overhead obstacles (i.e., branches, doorways, electrical wires) before driving under objects & do not contact them.
- Ensure that you operate the machine in areas where there are no obstacles in close proximity to the operator. Failure to maintain adequate distance from trees, walls, and other barriers may result in injury as the machine backs up during operation if the operator is not attentive to the surroundings.
- Only operate the unit in areas where there is sufficient clearance for the operator to safely maneuver the product.
- Locate the pinch point areas marked on the machine and keep hands and feet away from these areas.
- Lightning can cause severe injury or death. If lightning is seen or thunder is heard in the area, do not operate the machine; seek shelter.
- Do not overload the hopper and always keep the load level when operating the machine.

Slope Operation

Slopes are a major factor related to loss-of-control & tip-over accidents, which can result in severe injury or death. All slopes require extra caution.

- Operate up and down slopes with the heavy end of the machine uphill. Weight distribution changes. An empty hopper makes the rear of the machine the heavy end, and a full hopper makes the front of the machine the heavy end.
- Raising the hopper on a slope will affect the stability of the machine. Keep the hopper in the lowered position when on slopes.
- Remove obstacles such as rocks, tree limbs, etc. from the work area. Watch for holes, ruts, or bumps, as uneven terrain could overturn the machine. Tall grass can hide obstacles.
- Keep all movements on slopes slow and gradual. Do not make sudden changes in speed or direction.
- Avoid starting or stopping on a slope. If the machine loses traction, proceed slowly, straight down the slope.
- Avoid turning on slopes. If you must turn, turn slowly and keep the heavy end of the machine uphill.
- Do not operate near drop-offs, ditches, or embankments. The machine could suddenly turn over if a track goes over the edge of a cliff or ditch, or if an edge caves in.
- Use caution when operating on wet surfaces. Reduced traction could cause sliding.
- Do not park the machine on a hillside or slope without lowering the attachment to the ground and engaging the parking brake.



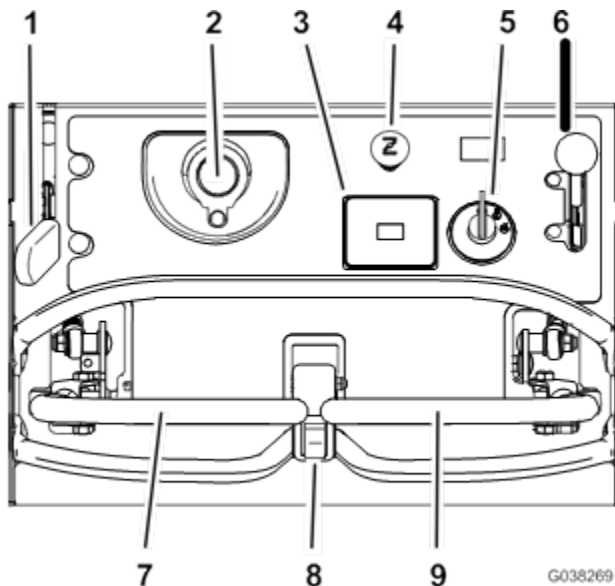
G038268

Figure 3

- | | |
|------------------|----------------------|
| 1. Hopper | 4. Fuel-tank cap |
| 2. Hood | 5. Operator platform |
| 3. Control panel | 6. Track |

Controls

Become familiar with all the controls (Figure 4) before you start the engine and operate the machine



G038269

1. Parking Brake Lever
2. Hydraulic Tank Cap
3. Hour Meter
4. Choke Control
5. Key Switch
6. Throttle Lever
7. Left Track Motion Control Lever
8. Dump Control Lever
9. Right Track Motion Control Lever

Parking Brake Lever To engage the parking brake, pull back the lever. (Figure 4). To release the parking brake, push the lever forward.

Choke Control Use the choke to start a cold engine. Pull the choke knob up to engage it. Push the choke knob down to disengage it (Figure 4).

Key Switch Use the key switch to start the engine (Figure 4). The switch has 3 positions: OFF, RUN, and START.

Throttle Lever The throttle lever is variable between the FAST and SLOW positions (Figure 4).

Motion-Control Levers Use the motion-control levers to drive the machine forward & reverse & to turn either direction (Figure 4).

Dump Switch Use the dump switch to dump & lower the hopper. If you hold the switch down 0.2 to 1.3 seconds, the hopper fully lowers automatically.

Operation

Note: Determine the left and right sides of the machine from the normal operating position.

Important: Before operating, check the fuel and oil level, and remove debris from the machine. Also, ensure that the area is clear of people and debris. You should also know and have marked the locations of all utility lines.

Think Safety First

Carefully read all safety instructions and symbols in the safety section. Knowing this information could help you or bystanders avoid injury.

CAUTION



This machine produces sound levels that can cause hearing loss through extended periods of exposure. Wear hearing protection when operating this machine. Use protective equipment for your eyes, ears, hands, feet, and head.

Adding Fuel

- For best results, use only clean, fresh (less than 30 days old), unleaded gasoline with an octane rating of 87 or higher ((R+M)/2 rating method).
- **ETHANOL:** Gasoline with up to 10% ethanol(gasohol) or 15% MTBE (methyl tertiary butyl ether) by volume is acceptable. Ethanol and MTBE are not the same. Gasoline with 15% ethanol (E15) by volume is not approved for use. Never use gasoline that contains more than 10% ethanol by volume, such as E15 (contains 15% ethanol), E20 (contains 20% ethanol), or E85 (contains up to 85% ethanol). Using unapproved gasoline may cause performance problems and/or engine damage which may not be covered under warranty.
- **Do not** use gasoline containing methanol.
- **Do not** add oil to gasoline.



DANGER

In certain conditions, fuel is extremely flammable and highly explosive. A fire or explosion from fuel can burn you and others and can damage property.

- Fill the fuel tank outdoors, in an open area, when the engine is cold. Wipe up any fuel that spills.
- Never fill the fuel tank inside an enclosed trailer.
- Do not fill the fuel tank completely full. Add fuel to the fuel tank until the level is 6 to 13 mm (1/4 to 1/2 inch) below the bottom of the filler neck. This empty space in the tank allows fuel to expand.
- Never smoke when handling fuel and stay away from an open flame or where fuel fumes may be ignited by a spark.
- Store fuel in an approved container and keep it out of the reach of children. Never buy more than a 30-day supply of fuel.
- Do not operate without entire exhaust system in place and in proper working condition.

DANGER



In certain conditions during fueling, static electricity can be released causing a spark, which can ignite the fuel vapors. A fire or explosion from fuel can burn you and others and can damage property.

- Always place fuel containers on the ground away from your vehicle before filling.
- Do not fill fuel containers inside a vehicle or on a truck or trailer bed because interior carpets or plastic truck bed liners may insulate the container and slow the loss of any static charge.
- When practical, remove fuel-powered equipment from the truck or trailer and refuel the equipment with its wheels on the ground.
- If this is not possible, then refuel such equipment on a truck or trailer from a portable container, rather than from a fuel-dispenser nozzle.
- If you must use a fuel-dispenser nozzle, keep the nozzle in contact with the rim of the fuel tank or container opening at all times until fueling is complete.

WARNING



Fuel is harmful or fatal if swallowed. Long-term exposure to vapors can cause serious injury and illness. Avoid prolonged breathing of vapors. Keep your face away from nozzle and fuel tank or conditioner opening. Keep fuel away from eyes and skin.

Filling the Fuel Tank Fuel-tank capacity: 40.1 L (10.6 US gallons)

Clean the area around the fuel-tank cap.

Remove the cap.

Add fuel until it is at the bottom of the filler neck. **Note:** Do not fill the fuel tank completely full. The empty space in the tank allows the fuel to expand.

Install the cap.

Performing Daily Maintenance Before starting the engine each day, perform the following procedures:

Check the engine-oil level Check the hydraulic-fluid level for the drive system Check the hydraulic-fluid level for the lift system

Operating the Parking Brake

Always engage the parking brake when you stop the machine or leave it unattended. Before each use, check the parking brake for proper operation.

CAUTION



Children or bystanders may be injured if they move or attempt to operate the machine while it is unattended. Always remove the ignition key and engage the parking brake when leaving the machine unattended.

Engaging the Parking Brake

Pull the parking-brake lever rearward into the ENGAGED position (Figure 7).

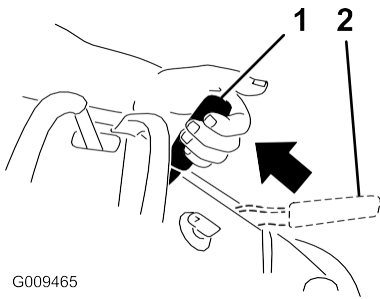


Figure 7

1. Parking brake—engaged
2. Parking brake—released

Releasing the Parking Brake

Push the parking-brake lever forward (Figure 7).

G009465

Operating the Choke

Use the choke to start a cold engine.

1. Pull up the choke knob to engage the choke before using the ignition switch (Figure 9).
2. Push down the choke knob to disengage the choke after the engine has started (Figure 9).

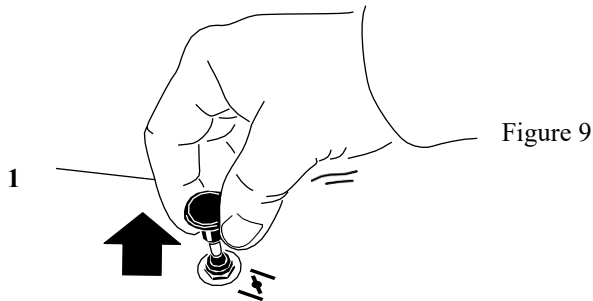
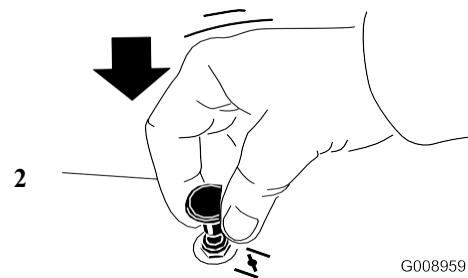


Figure 9

1. On Position

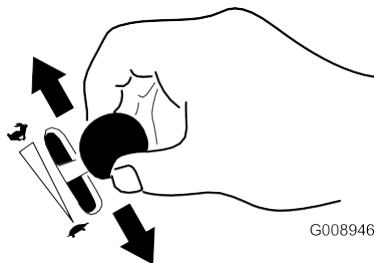


G008959

2. Off Position

Operating the Throttle

The throttle control moves between FAST and SLOW positions. Always use the FAST position when moving the machine. (Figure 8).



G008946

Figure 8

Starting the Engine

1. Engage the parking brake.
2. Engage the choke.

Note: A warm or hot engine may not require choking. You may need to repeat the starting cycle when you start the engine for the first time after you have filled a completely empty fuel system with fuel.
3. Move the throttle between the FAST and SLOW positions.
4. Turn the key switch to the START position.
5. When the engine starts, disengage the choke.

Important: Do not engage the starter for more than 5 seconds at a time. If the engine fails to start, allow a 15-second cool-down period between attempts. Failure to follow these instructions can burn out the starter.

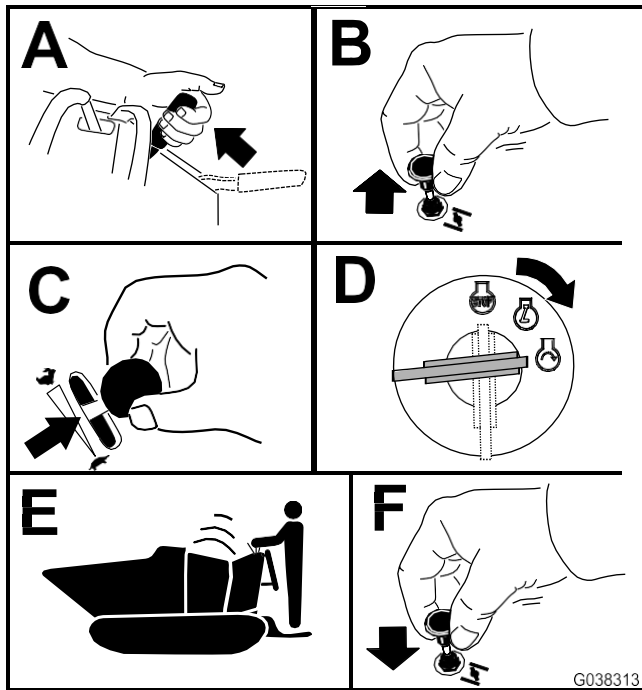


Figure 10

Shutting Off the Engine

1. Move the throttle between the FAST and SLOW positions.
2. Engage the parking brake.
3. Turn the key switch to the OFF position and remove the key.

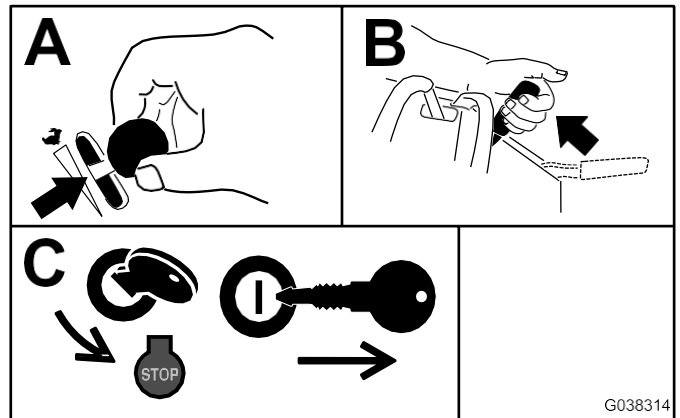


Figure 11

Operating the Hopper

Hopper capacity: 1134 kg (2,500 lb)

Know the load capacity of the machine and never exceed it. This machine normally operates on uneven, unpaved, bumpy, and/or inclined surfaces—adjust the load accordingly.

1. Position the machine where you intend to dump the load.
2. Dump the hopper by pushing the top of the dump switch (Figure 12).
3. Lower the hopper by pushing the bottom of the dump switch (Figure 12).

Note: If you hold the bottom of the switch 0.2 to 1.3 seconds, the hopper fully lowers automatically.

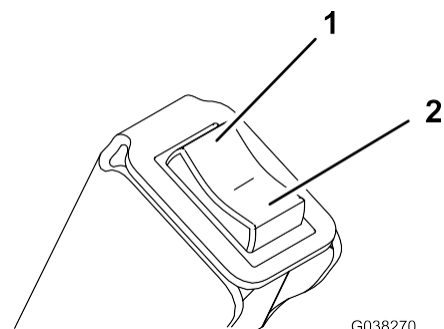


Figure 12

1. Dump the hopper.
2. Lower the hopper.

Transporting the Machine

Use a heavy-duty trailer or truck with full-width ramps to transport the machine. Ensure that the trailer or truck has all the necessary brakes, lighting, and marking as required by law. Please carefully read all the safety instructions. Knowing this information could help you, your family, pets or bystanders avoid injury. Refer to your local ordinances for trailer and tie-down requirements.

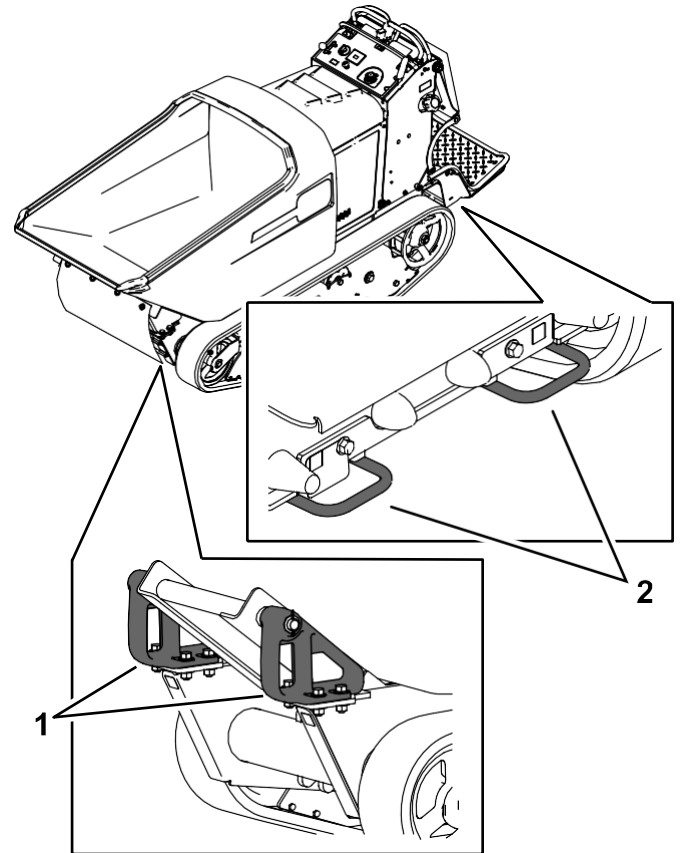
Important: Do not operate or drive the machine on roadways.

1. Lower the hopper.

2. If using a trailer, connect it to the towing vehicle and connect the safety chains.
3. If applicable, connect the trailer brakes.
4. Carefully load the machine onto the trailer or truck.
5. Shut off the engine, remove the key, and set the brake.
6. Use the metal tie-down loops on the machine to securely fasten the machine to the trailer or truck with straps, chains, cable, or ropes (Figure 14).

Figure 14

1. Front tie-down loops
2. Rear tie-down loops



If the person receiving this handout will not be the user of the equipment, forward these instructions to the operator. **IF** there is any doubt as to the operation or safety of the equipment, **DO NOT USE!!! CALL A TOOL SHED IMMEDIATELY!!!**
FAILURE TO FOLLOW THESE INSTRUCTIONS COULD RESULT IN INJURY OR DEATH